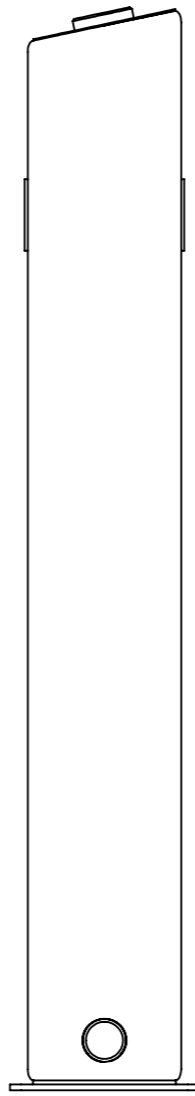
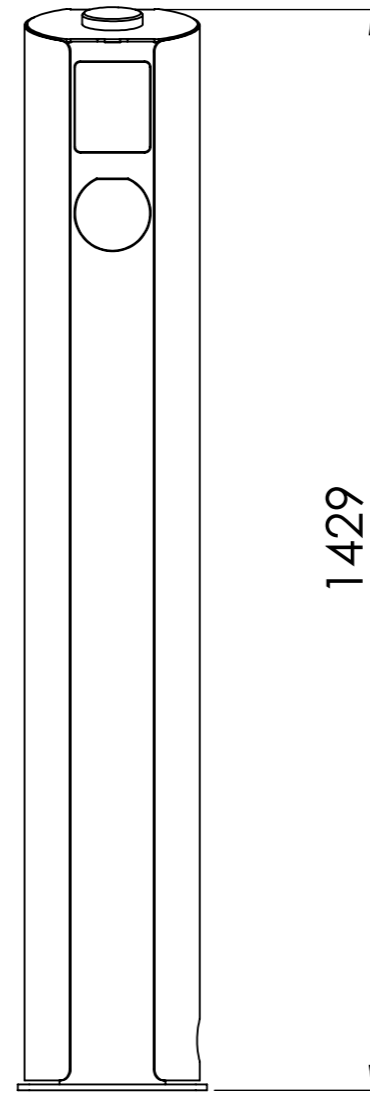


FRONT

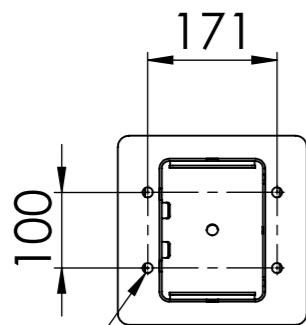


SIDE

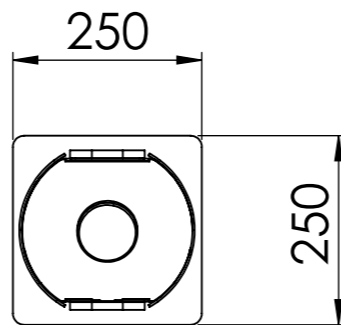


BACK

1429



BOTTOM



TOP

Fixed holes
4x ϕ 13,40 mm

171

100

250

250